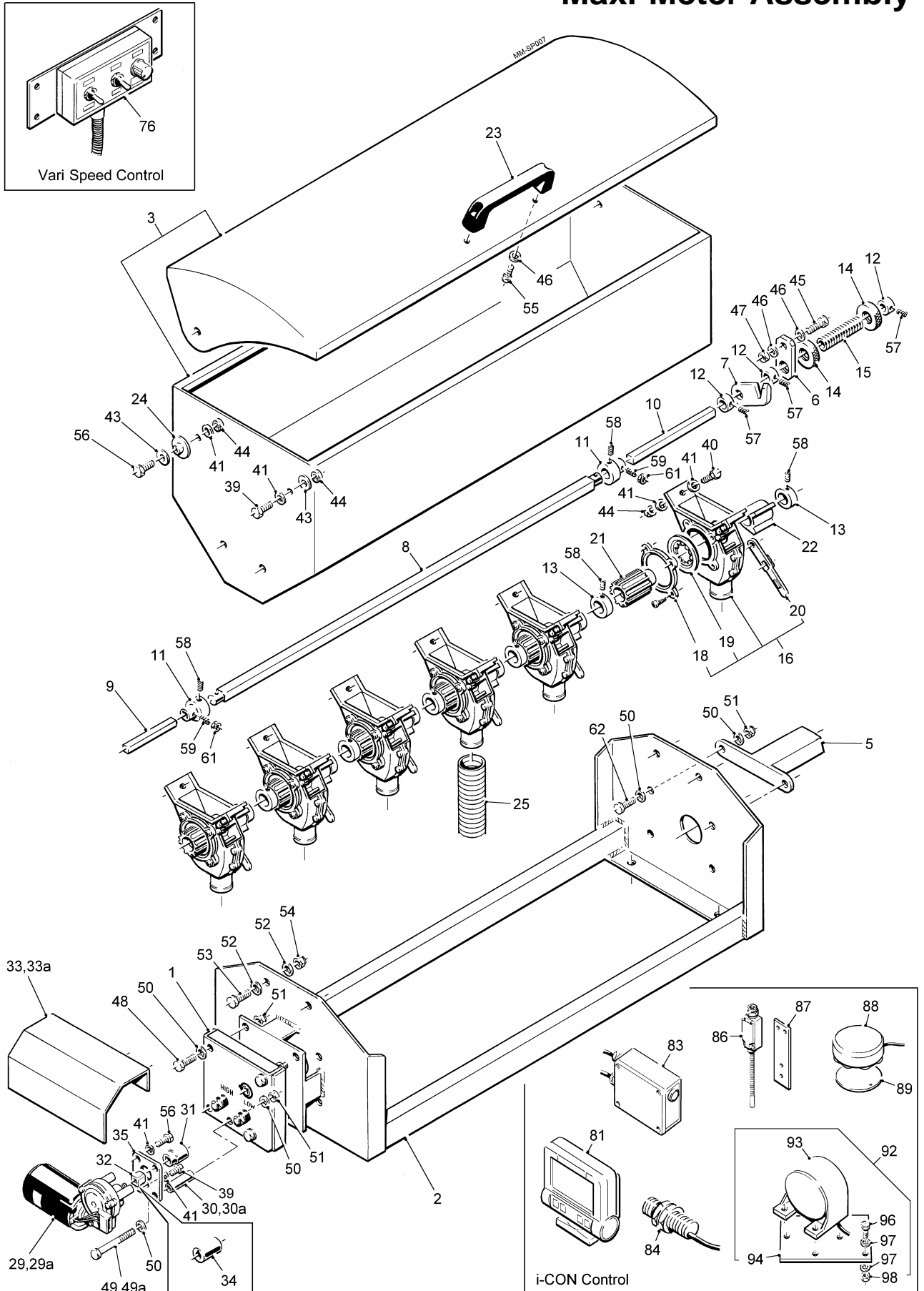


## Maxi-Meter Assembly



## Maxi-Meter Assembly

Item	Part No.	Description	Qty.	Remarks
1	MM002G	Gearbox Complete	1	
2	FS200A	Chassis	1	
3	FS210A	Hopper c/w Lid	1	
4				
5	FS115	Adjuster Bracket	1	
6	FS119	Adjuster Plate	1	
7	FS114	Pointer	1	
8	FS110	Feed Drive Shaft	1	
9	FS111	Adaptor Shaft (short)	1	
10	FS112	Adaptor Shaft (long)	1	
11	FS109	Shaft Adaptor	2	
12	MM517	Locking Collar (small)	3	
13	FS108	Locking Collar (large)	11	
14	FS117	Knurled Adjuster Knob	2	
15	FS116	Threaded Adjuster	1	
16	FS100	Feed Cup Complete	6	
17				
18	FS098	Flange	6	
19	FS099	Inner Ring	6	
20	FS097	Lever	6	
21	FS101	Feed Roller	6	
22	FS102	Feed Cut-off Sleeve	6	
23	FS103	Lid Handle	1	
24	FS104	Top Hat Washer	2	
25	FS222	Ø40mm Bore Hose	a/r	
26				
27				
28				
29	MM044	Metering Motor	1	Used with Vari Speed
29a	TJ044A	Metering Motor	1	Used with i-CON
30	MM047	Motor Mounting Bush	2	Used with Vari Speed
30a	MM042	Motor Mounting Bush	2	Used with i-CON
31	MM048	Drive Socket	1	
32	MM049	Square Drive Block	1	Used with Vari Speed
33	MM055A	Metering Motor Guard	1	Used with Vari Speed
33a	MM060A	Metering Motor Guard	1	Used with i-CON
34	TJ043	Motor Coupling	1	Used with i-CON
35	TJ035	Motor Mount	1	Used with Vari Speed
36				
37				
38				
39	M6-004	M6x16 Hex Head Setscrew	5	
40	M6-006	M6x20 Button Head Setscrew	12	
41	M6-015	M6 Flat Washer	35	
42				
43	M6-018	M6 Repair Washer	4	
44	M6-023	M6 Nyloc Nut	16	
45	M8-003	M8x20 Hex Head Setscrew	1	
46	M8-010	M8 Flat Washer	4	
47	M8-019	M8 Nyloc Nut	1	
48	M10-009	M10x40 Bolt	3	
49	M10-014	M10x100 Bolt	2	
49a	M10-015	M10x130 Bolt	2	
50	M10-016	M10 Flat Washer	11	
51	M10-024	M10 Nyloc Nut	7	

## Maxi-Meter Assembly

Item	Part No.	Description	Qty.	Remarks
52	M12-008	M12 Flat Washer	8	
53	M12-002	M12x25 Hex Head Setscrew	4	
54	M12-014	M12 Nyloc Nut	4	
55	M8-001	M8x16 Hex Head Setscrew	2	
56	M6-005	M6x20 Hex Head Setscrew	4	
57	FJ008A	M6x6 Grub Screw	3	
58	M6-031	M6x12 Grub Screw	13	
59	M6-032	M6x16 Grub Screw	2	
60				
61	M6-021	M6 Nut	2	
62	M10-004	M10x25 Setscrew	2	
63				
64				
65				
66				
67				
68				
69				
70				
71				
72				
73				
74				
75				
<hr/>				
76	GA115B	<b>Vari Speed Control Consists Of:</b> Vari Speed Cab Control Box	1	
77	MM107	Vari Speed 3.5m Power Cable	1	(not shown)
78	MM108	Vari Speed 6m Connector Cable	1	(not shown)
79				
80				
<hr/>				
81	TJ117C	<b>i-CON Control Consists Of:</b> i-CON Cab Control Box	1	
82	TJ118C	i-CON Power Cable for Cab Box	1	(not shown)
83	TJ119C	i-CON Junction Box	1	
84	TJ251A	i-CON Hopper Level Sensor	1	
85	MM107C	7m Fused Battery Connector Cable	1	Optional (not shown)
86	TJ252	Automatic Cut-out Switch	1	
87	TJ253	Switch Mounting plate	1	
88	TJ255A	GPS Receiver	1	
89	-	Self-adhesive Steel Plate	1	
90				
91				
92	TJ237	Radar & Bracket Assembly	1	Optional
93	TJ233A	Ground Speed Radar	1	Optional
94	TJ231	Radar Bracket	1	Optional
95				
96	M10-004	M10x25 Bolt	3	
97	M10-016	M10 Flat Washer	6	
98	M10-024	M10 Lock Nut	3	