



INO BREŽICE d.o.o.
8262 Krška vas 34 b, Slovenija
Tel.: ++386 (0) 749 59 233;
Fax: ++ 386 (0) 749 59 151
E-mail: ino@inobrezice.si
Internet: www.inobrezice.com

FLAIL MOWER

MKL

SPARE PARTS

MMKL*115SDK180

MMKL*130SDK180

MMKL*150SDK180



IT IS MANDATORY TO READ AND FOLLOW THESE INSTRUCTIONS
BEFORE CARRYING OUT ANY OPERATION!

SPARE PARTS



We reserve the right to modify the technical data and characteristics of the machines at any moment without prior notice.



A producer is obliged to supply the spare parts min. 7 years after the machine has been sold.



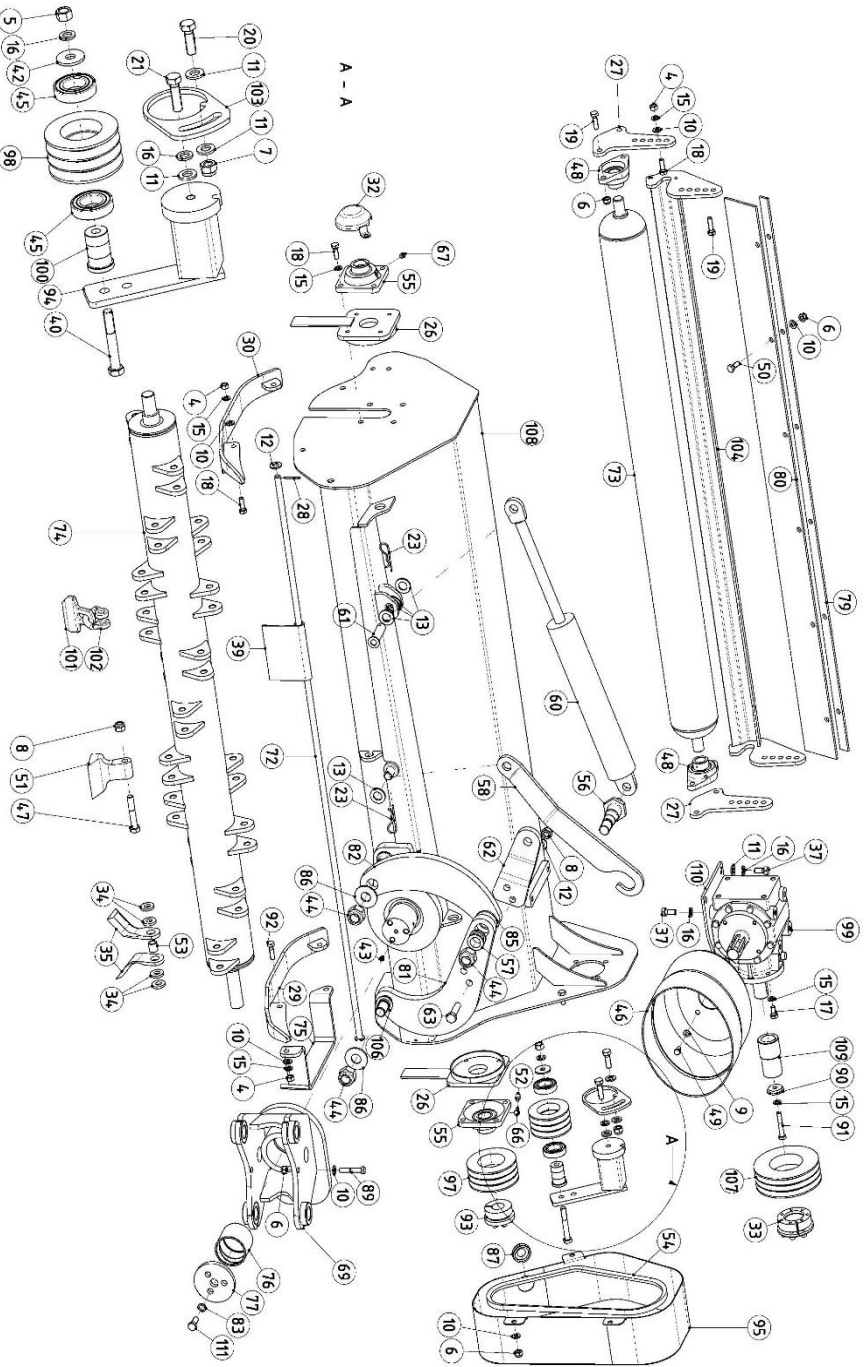
When ordering the spare parts always add the following details: type of the machine, serial number and year of the production. All data are on the identification plate. See the sample order below.

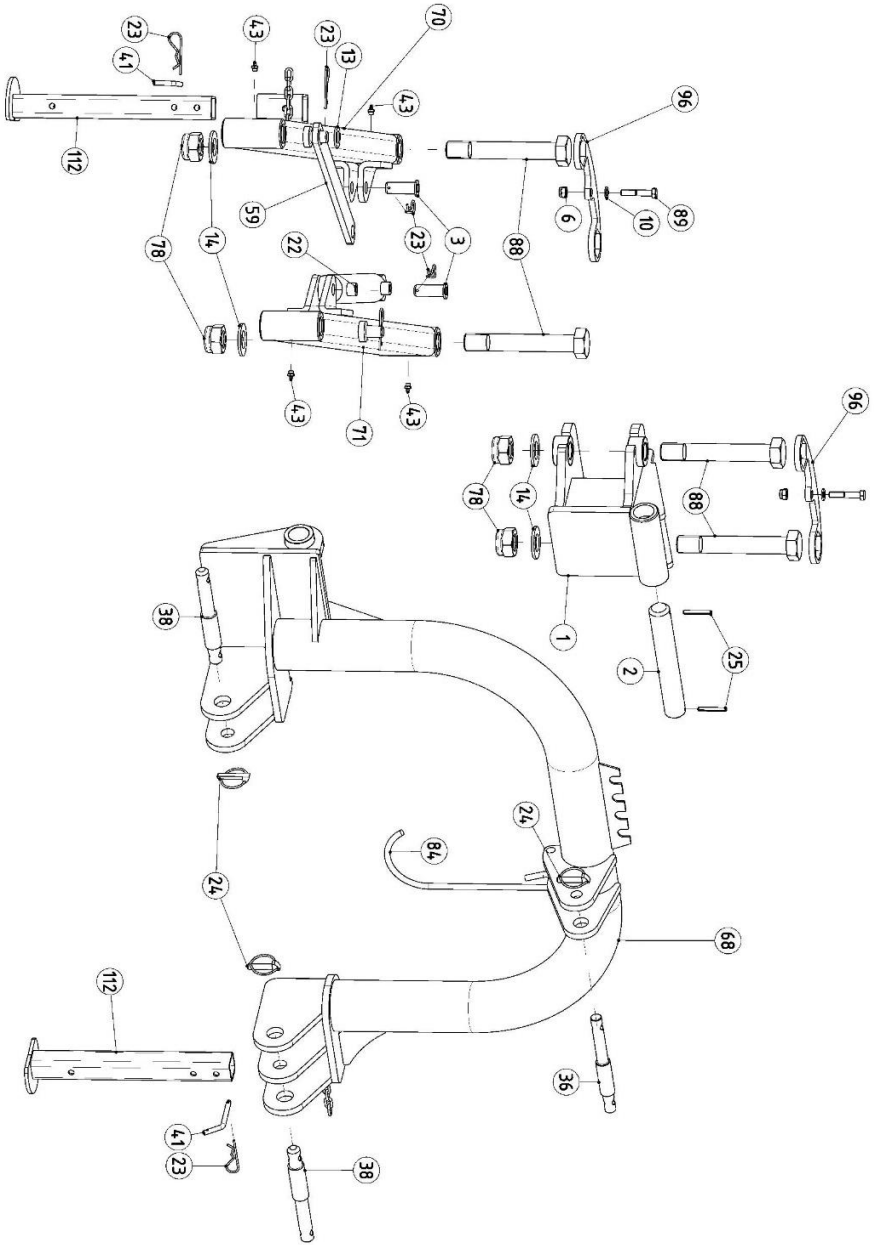
machine	type	serial no.	year	pos.	part no.	name	pc
f.mower	E.OPEN	123	2018	66	019016	WASHER	1

Servicing:

Tel.: ++386 (0)7 49 59 233; (0)7 49 59 306







Pos	Name	Part no	Qty		
			115	130	150
	MKL	nnnnn			
1	CONNECT 2	010020	1	1	1
2	PIVOT PIN	010027	1	1	1
3	PIVOT PIN 20- 55	010033	2	2	2
4	NUT M 10	010189	8	8	8
5	NUT M 12	010190	1	1	1
6	NUT M 10	010202	14	15	15
7	NUT M 12	010203	1	1	1
8	NUT M 14	026475	18	20	22
9	WASHER 8 Zn	010218	4	4	4
10	WASHER 10 Zn	010219	18	19	19
11	WASHER 12 Zn	010220	5	5	5
12	WASHER 14 Zn	010221	3	3	3
13	WASHER 20 Zn	010224	8	8	8
14	WASHER 30 Zn	010227	4	4	4
15	WASHER SPRING 10	010232	21	21	21
16	WASHER SPRING 12	010233	8	8	8
17	BOLT M 10x 20	010257	4	4	4
18	BOLT M 10x 30	010259	14	14	14
19	BOLT M 10x 35	010260	8	8	8
20	BOLT M 12x 35	010270	1	1	1
21	BOLT M 12x 40	010271	1	1	1
22	HYDRAULIC CYLINDER	010285	1	1	1
23	PIN R 3	010327	8	8	8
24	PIN	010328	3	3	3
25	PIN	010332	2	2	2
26	FLANGE	010419	2	2	2
27	REAR ROLLER BRACKET	010445	2	2	2
28	SPLIT PIN	010449	1	1	1
29	SKID L	010467	1	1	1
30	SKID R	010468	1	1	1
31	FLAP 150	010473	3	3	3
32	BEARING CAP	010474	1	1	1
33	CLUTCH ELVE 45/80	010760	1	1	1
34	WASHER 14	010771	4	4	4
35	Y BLADE	010867	2	2	2
36	PIN CONNECT	010991	1	1	1

Pos	Name	Part no	Qty		
			115	130	150
37	BOLT M 12x 25	010997	6	6	6
38	PIN CONNECT	011015	2	2	2
39	FLAP 140	011436	4	4	5
40	BOLT M 12x 80	011477	1	1	1
41	PIN	011598	2	2	2
42	WASHER 12n	011654	1	1	1
43	GREASE NIPPLE FLAT	011669	5	5	5
44	M 24	011810	3	3	3
45	BEARING	011832	2	2	2
46	PTO SHAFT SHIELD PVC	011880	1	1	1
47	BOLT M 14x 82	026474	16	18	20
48	BEARING WITH CASING	011956	2	2	2
49	BOLT M 8x 16	012024	4	4	4
50	BOLT M 10x 25	012026	5	6	6
51	HAMMER	012052	16	18	20
52	GREASE NIPPLE	012250	1	1	1
53	SLEEVE	012462	1	1	1
54	BELT	012526	2	3	3
55	BEARING WITH CASING	012692	2	2	2
56	PLUG	015894	1	1	1
57	BUSHING	016016	1	1	1
58	BLOCKADE HORIZONTAL	016558	1	1	1
59	BLOCKADE	016560	1	1	1
60	HYDRAULIC CYLINDER	016572	1	1	1
61	PIN	016577	1	1	1
62	LEVER L	016589	1	1	1
63	BOLT M 14x 55	016615	2	2	2
64	FLAP 130	016854	0	1	1
65	FLAP 90	016855	1	1	1
66	GREASE NIPPLE	017212	1	1	1
67	GREASE NIPPLE FLAT	017213	1	1	1
68	3-POINT HITCH	017392	1	1	1
69	CONNECT 1	017405	1	1	1
70	ARM R	017420	1	1	1
71	ARM L	017421	1	1	1
72	FLAP BAR 115	010478	1		
	FLAP BAR 130	010479		1	
	FLAP BAR 150	017427			1

Pos	Name	Part no	Qty		
			115	130	150
73	ROLLER REAR 115	010455	1		
	ROLLER REAR 130	110456		1	
	ROLLER REAR 150	017430			1
74	ROTOR SHAFT 115 HAMMERS	017317	1		
	ROTOR SHAFT 130 HAMMERS	017318		1	
	ROTOR SHAFT 150 HAMMERS	017436			1
	ROTOR SHAFT 115 Y-BLADES	017352	1		
	ROTOR SHAFT 130 Y-BLADES	017353		1	
	ROTOR SHAFT 150 Y BLADES	017437			1
	ROTOR SHAFT 115 SHACKLE	025443	1		
	ROTOR SHAFT 130 SHACKLE	024940		1	
	ROTOR SHAFT 150 SHACKLE	024941			1
75	SIDE GUARD L	017716	1	1	1
76	BUSHING CU	017864	1	1	1
77	WASHER	017932	1	1	1
78	NUT M 30	017993	4	4	4
79	BAR FOR RUBBER 115	018044	1		
	BAR FOR RUBBER 130	018045		1	
	BAR FOR RUBBER 150	018046			1
80	RUBBER GUARD 115	018048	1		
	RUBBER GUARD 130	018049		1	
	RUBBER GUARD 150	018050			1
81	HANDLE L WITH PLUG	018781	1	1	1
82	HANDLE R	019002	1	1	1
83	WASHER 12	019021	3	3	3
84	HOOK	019024	1	1	1
85	SPACER	019740	1	1	1
86	SPACER	019740	2	2	2
87	CAP PVC	019896	1	1	1
88	BOLT M30x195	020211	4	4	4
89	BOLT M 10x 55	021046	2	2	2
90	WASHER	021671	1	1	1
91	BOLT M 10x 60	021672	1	1	1
92	BOLT M 10x 35	021841	2	2	2
93	CLUTCH ELVE 30/65	022432	1	1	1
94	BELT TENSIONER SE 27	022440	1	1	1
95	BELT SHIELD	022488	1	1	1
96	BLOCKADE	022559	2	2	2

Pos	Name	Part no	Qty		
			115	130	150
97	PULLEY 112/65-2	024282	1		
	PULLEY 112/65-3	022609		1	1
98	STRAIN PULLEY 90/2 E-M	024259	1		
	STRAIN PULLEY 90/3 E-M	022615		1	1
99	GEARBOX	024145	1	1	1
100	PIN	024256	1		
	PIN	024264		1	1
101	HAMMER FOR SHACKLE	024396	16	18	20
102	SHACKLE	024397	16	18	20
103	BLOCKADE	024958	1	1	1
104	SCRAPER 115	025214	1		
	SCRAPER 130	025213		1	
	SCRAPER 150	025212			1
105	FLAP 30	025225	1	1	1
106	WASHER	025232	1	1	1
107	PULLEY 150/80-2	025272	1		
	PULLEY 150/80-3	025234		1	1
108	FRAME 115	025256	1		
	FRAME 130	025257		1	
	FRAME 150	025258			1
109	BUSHING	025270	1	1	1
110	PLATE	025271	1	1	1
111	M 12x 30	025305	3	3	3
112	SUPPORT	110036	2	2	2



INO BREŽICE d.o.o.
8262 Krška vas 34 b, Slovenija
Tel.: ++386 (0) 749 59 233;
Fax: ++ 386 (0) 749 59 151
E-mail: ino@inobrezice.si
www.inobrezice.com

V-20200806